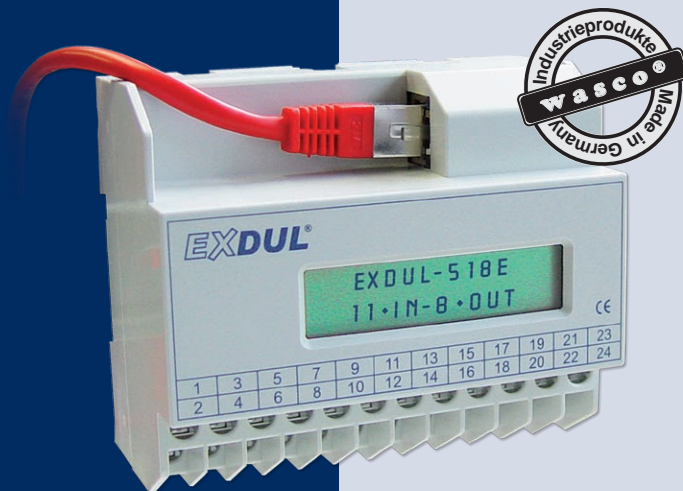


# EXDUL-518E

**Ethernet Module with 11 Optocoupler Inputs, 8 Optocoupler Outputs, 6 Counters and LCD Display**



**11 optocoupler inputs**

**8 optocoupler outputs**

**6 counters 32 Bit**

**LCD display**

The EXDUL-518S provides 11 digital inputs and eight digital outputs galvanically opto-isolated via high-quality optocouplers. The bipolar inputs are protected with additional overvoltage protection diodes. The outputs, protected with reverse polarity protection diodes, can switch 1A per channel. Six of the 11 optocoupler inputs can also be programmed as hardware-supported 32-bit counter inputs if required. An external power supply powers the module with the required operating voltage. A programmable LCD display presents I/O status information or user-specific data. The module provides a 24-pin screw terminal block for connecting the external power supply as well as the input and output optocouplers. The compact chassis enables the module to be used as a portable device with a notebook. For mechanical or control engineering it can also be easily wall mounted or attached to DIN mounting rail.

## SPECIFICATIONS

### Digital Optocoupler Inputs

11 bipolar channels galvanically isolated  
Optocoupler contact A with one terminal connection each, Optocoupler contact B sharing one terminal  
Overvoltage protection diodes  
Input voltage ranges  
high = 10 .... 30 V  
low = 0 .... 3 V

### Digital Optocoupler Outputs

8 output channels galvanically isolated  
Optocoupler contact A with one terminal connection each, Optocoupler contact B sharing one terminal  
Reverse polarity protection diodes  
Switchable freewheeling diodes at all of the channels  
Voltage CE: max. 30 V  
Output current: max. 1A per channel  
Switching time typ. 60µs (24V, 100mA)  
Release Time: typ. 250µs (24V, 100mA)

### Counters

6 hardware supported programmable digital 32-bit counters (6 of the input optocouplers are assigned)  
Counting frequency: max. 5 kHz

### LCD Display

Matrix display with 2 lines and 16 columns presenting 16 signs each line  
Programmable as I/O status display or user specific data display

### Power Supply

+10 V...+30 V via external power supply

### Ethernet Interface

10/100Base-T Ethernet Interface

### Module connections

1 \* 24pin screw terminal  
Ethernet RJ45 socket

### Ethernet connecting cable

RJ45 network cable Cat5 or later

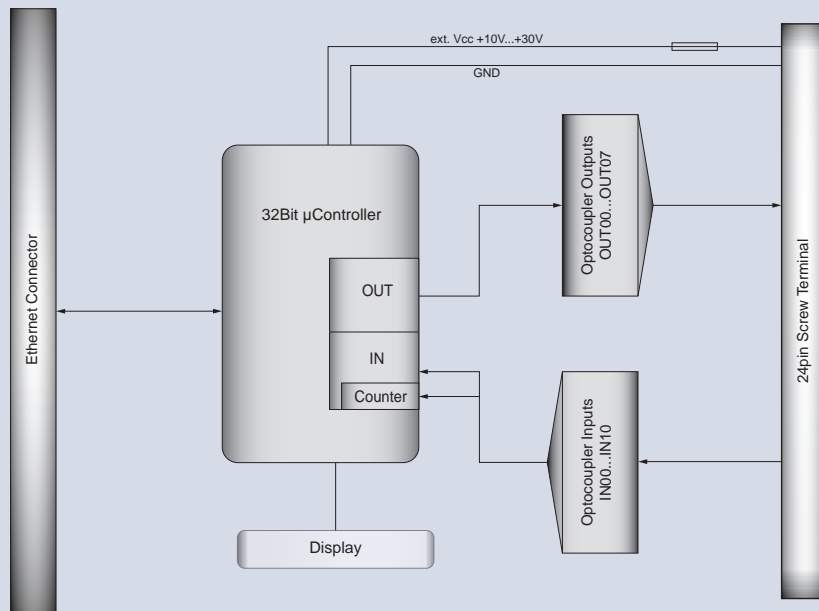
### Product dimensions

105 mm x 89 mm x 59 mm (l x b x h)

### Casing

Plastic casing with integrated snap-on technology for top-hat rail mounting to DIN EN. Suitable for control and engineering technology mounted to control and distribution boxes, surface mounting or mobile use on a desk.

## BLOCK DIAGRAM



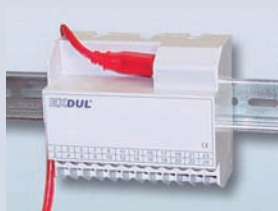
## PIN ASSIGNMENT

Terminals Vcc\_EXT und GND\_EXT are provided for an application of 10 ... 30 V voltage supply.

### Screw-Terminal CN1

DOUT01+	2	1	DOUT00+
DOUT03+	4	3	DOUT02+
DOUT05+	6	5	DOUT04+
DOUT07+	8	7	DOUT06+
DOUT_D	10	9	DOUT00 .. 07-
DIN01 / Counter1	12	11	DIN00 / Counter0
DIN03 / Counter3	14	13	DIN02 / Counter2
DIN05 / Counter5	16	15	DIN04 / Counter4
DIN07	18	17	DIN06
DIN09	20	19	DIN08
DIN_COM	22	21	DIN10
GND_EXT	24	23	Vcc_EXT

## ASSEMBLY AND APPLICATION OPTIONS



Top-hat Rail Mounting



Wall Mounting



Mobile Use on a Desk

## PROGRAMMING

### Windows®:

Driver and program examples for Java, VB.NET, C++.NET, C#.NET, LabView Tutorial

### Linux®:

Driver and program examples for C, C++ and Java (see manual)

on enclosed CD or download at:  
[www.messcomp.com](http://www.messcomp.com), Section Support - Software

## SCOPE OF DELIVERY

Ethernet Module EXDUL-518E  
Cat.5 Ethernet cable 1 m  
German Description (English on request)  
Installation and sample programs

## ORDER INFORMATION

EXDUL-518E EDP-No. A-374540  
Ethernet Optocoupler I/O Module

## SUITABLE ACCESSORIES

### DR-60-24

EDP-No. A-3425

Switching power supply providing one output 24 V / 2,5 A, closed construction design, touch-protected screw terminals, overload protection by current limitation, Power-On-LED



### F4652-24-Set

EDP-No. A-351024

Industrial power relay combination with two changeover contacts 250 V / 8 A and free-wheeling diode, snap-on technology for DIN EN top-hat rails



For more detailed information about the here listed and other accessories we refer to the corresponding data sheets

Product and company names mentioned may be trademarks of their respective owners